

MADE IN ITALY 



ANI

EXTRAORDINARY PASSION



SERIE 35

RACCORDI A INNESTO RAPIDO IN RESINA

RESIN PUSH IN FITTINGS

RACCORDS A EMBOUT RAPIDE EN RESINE

ANSCHLÜSSE MIT SCHNELLKOPPLUNG AUS HARZ

EXTRAORDINARY PASSION **20 20**



CARATTERISTICHE TECNICHE

- **CAMPI DI IMPIEGO:** Circuiti pneumatici, oleodinamici e idraulici.
- **PRESSIONE D'ESERCIZIO:** 10 bar (1 MPa)
- **TEMPERATURA DI LAVORO:** 0°C (273°K) ÷ +60°C (333°K).
- **TIPI DI TUBO INNESTABILI:** RILSAN (PA11/12), POLIURETANO, POLIETILENE, POLIESTERE, PTFE, NYLON (PA6) : ±0,5 (ø 4÷ø10) - ±0,1 (ø12 ÷ ø 16).
- **MATERIALI IMPIEGATI:** Ottone nichelato (EN 12164- CW614N) - Tecnopolimero Nero - NBR - Pinza in acciaio inox.
- **O-RING/GUARNIZIONI:** Guarnizioni in gomma antiolio NBR
- **FILETTATURA:** Gas conica con PTFE - ISO 7 (BSPT) - DIN 2999 - BS 21. Gas cilindrica - ISO 228 (BSPP)

CARACTERISTIQUES TECHNIQUES

- **CHAMPS D'APPLICATION :** Circuits pneumatiques, oléodynamiques et hydrauliques.
- **PRESSION DE FONCTIONNEMENT :** 10 bar (1 MPa)
- **TEMPERATURE DE FONCTIONNEMENT :** 0°C (273°K) ÷ +60°C (333°K).
- **TYPES DE TUBE A EMBOUT :** RILSAN (PA11/12), POLYURETHANE, POLYETHYLENE, POLYESTER, PTFE, NYLON (PA6) : ±0,5 (ø4÷ø10) - ±0,1 (ø12÷ø16).
- **MATERIAUX UTILISES :**
Laiton nickelé (EN12164 CW 614N) - Technopolymère noir - Pince en acier inox.
- **O-RING / JOINTS TORIQUES :** Joints en caoutchouc anti-huile NBR
- **FILETAGE :** Gaz conique avec PTFE - ISO 7 (BSPT) - DIN 2999 - BS 21. Gaz cylindrique - ISO 228 (BSPP)

TECHNICAL FEATURES

- **FIELDS OF APPLICATION:** Pneumatic, oleodynamic and hydraulic circuits.
- **OPERATING PRESSURE:** 10 bar (1 MPa)
- **OPERATING TEMPERATURE:** 0°C (273°K) ÷ +60°C (333°K).
- **PIPES TO BE CONNECTED:** RILSAN (PA11/12), POLYURETHANE, POLYETHYLENE, POLYESTER, PTFE, NYLON (PA6) : ±0,5 (ø 4÷ø10) - ±0,1 (ø12 ÷ ø 16).
- **MATERIALS USED:** Nickel-plated Brass (EN 12164 - CW614N) - Black Technopolymer - Stainless steel pliers.
- **O-RINGS / WASHERS:** Oil-resistant, NBR washers.
- **THREAD:** Gas conical thread with PTFE - ISO 7 (BSPT) - DIN 2999 - BS 21. Cylindrical gas thread - ISO 228 (BSPP).

TECHNISCHE SPEZIFIKATIONEN

- **ANWENDUNGSBEREICHE:** Pneumatische, oleodynamische und hydraulische Schaltungen.
- **BETRIEBSDRUCK:** 10 bar (1 MPa)
- **BETRIEBSTEMPERATUR:** 0°C (273°K) ÷ +60°C (333°K).
- **ZU VERWENDEDE ROHRE:** RILSAN (PA11/12), POLYURETHAN, POLYETHYLEN, POLYESTER, PTFE, NYLON (PA6) : ±0,5 (ø 4÷ø10) - ±0,1 (ø12 ÷ ø 16).
- **VERWENDETE STOFFE:** Vernickeltes Messing - Schwarzes Technopolymer - Zahnschide aus Edelstahl.
- **O-RINGE / DICHTUNGEN:** Ölfeste, NBR-Dichtungen.
- **GEWINDE:** Konisches Gasgewinde mit PTFE - ISO 7 (BSPT) - DIN 2999 - BS 21. Zylindrisches Gasgewinde - ISO 228 (BSPP).

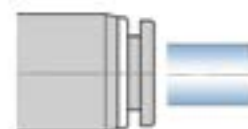
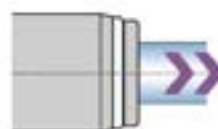
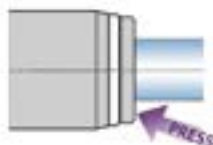
CORPO PRINCIPALE
MAIN BODY
CORPS PRINCIPAL
KORPER



ANELLO DI SGANCIO
RELEASE RING
POUSSOIR
DRUCKRING



ATTACCO FILETTATO
THREADED CONNECTOR
CONNEXION FILETEE
GEWINDENSCHLUSS



SISTEMA DI AGGANCIAMENTO DEL TUBO

CALZARE IL TUBO PER REALIZZARE LA CONNESSIONE.
SPINGERE IL COLLETTO E TIRARE IL TUBO PER SCOLLEGARLO

PIPE COUPLING SYSTEM

THE CONNECTION CAN BE MADE JUST INSERTING THE HOSE.
PUSH THE LOCKING RING AND PULL THE HOSE TO RELEASE IT.

SYSTEME D'ACCOUPEMENT DU TUYAU

POUR LA CONNEXION IL SUFFIT D'INSERER LE TUYAU.
POUR LE DEBRANCHER, POUSSER LA BAGUE DE SERRAGE ET TIRER LE TUYAU





KUPPLUNGSSYSTEM

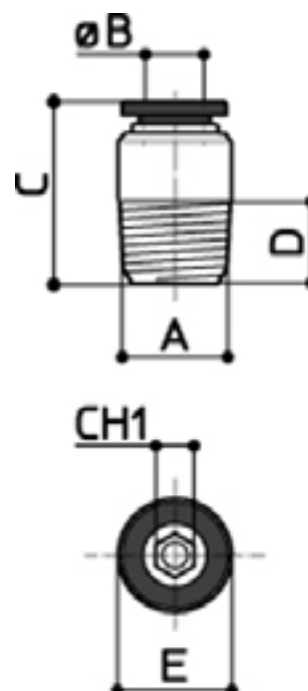
DER SCHLAUCH IM VERBINDER EINFACH EINSTECKEN. DER KRAGEN TIEF DRÜCKEN UND DEN SCHLAUCH ZIEHEN, UM DEN VERBINDER ZU LÖSEN.

35/AM

TERMINALE DRITTO FILETTATO MASCHIO | MALE THREADED STRAIGHT | ADAPTOR EXTREMITE DROITE FILETEE MALE | GERADES ENDSTÜCK MIT AUSSENGEWINDE

- Maschio conico ISO 7 (BSPT) - DIN 2999- BS 21 con PTFE
- Conical male thread ISO 7 (BSPT) - DIN 2999 - BS 21 with PTFE
- Mâle conique ISO 7 (BSPT) - DIN 2999 - BS 21 avec PTFE
- Konisches Außengewinde ISO 7 (BSPT) - DIN 2999 - BS 21 mit PTFE





| COD. | MOD. | A | B | C | D |  |  |  |  |
|------------|-------|------|------|------|------|---|---|---|---|
| AH0382201A | 35/AM | 1/8M | ø 4 | 19.6 | 7.5 | 10 | 3 | 10 | 6 |
| AH0382202A | 35/AM | 1/4M | ø 4 | 17.6 | 9 | 14 | 3 | 10 | 13 |
| AH0382203A | 35/AM | 1/8M | ø 6 | 19.6 | 7.5 | 12 | 4 | 10 | 7 |
| AH0382204A | 35/AM | 1/4M | ø 6 | 21.8 | 9 | 14 | 5 | 10 | 11 |
| AH0382205A | 35/AM | 3/8M | ø 6 | 20.0 | 10.5 | 17 | 5 | 10 | 21 |
| AH0382206A | 35/AM | 1/2M | ø 6 | 23.0 | 13 | 21 | 5 | 10 | 35 |
| AH0382207A | 35/AM | 1/8M | ø 8 | 23.7 | 7.5 | 14 | 5 | 10 | 11 |
| AH0382208A | 35/AM | 1/4M | ø 8 | 24.3 | 9 | 14 | 6 | 10 | 10 |
| AH0382209A | 35/AM | 3/8M | ø 8 | 20.7 | 10.5 | 17 | 6 | 10 | 19 |
| AH0382210A | 35/AM | 1/2M | ø 8 | 25.6 | 13 | 21 | 6 | 10 | 33 |
| AH0382211A | 35/AM | 1/8M | ø 10 | 27.4 | 7.5 | 17 | 5 | 10 | 15 |
| AH0382212A | 35/AM | 1/4M | ø 10 | 28.7 | 9 | 17 | 6 | 10 | 18 |
| AH0382213A | 35/AM | 3/8M | ø 10 | 26.0 | 10.5 | 17 | 8 | 10 | 20 |
| AH0382214A | 35/AM | 1/2M | ø 10 | 25.8 | 13 | 21 | 8 | 10 | 30 |
| AH0382215A | 35/AM | 1/4M | ø 12 | 31.2 | 9 | 21 | 6 | 10 | 22 |
| AH0382216A | 35/AM | 3/8M | ø 12 | 28.7 | 10.5 | 21 | 8 | 10 | 23 |
| AH0382217A | 35/AM | 1/2M | ø 12 | 31.2 | 13 | 21 | 10 | 10 | 30 |
| AH0382218A | 35/AM | 3/8M | ø 14 | 35 | 10.5 | 22 | | 10 | 31 |
| AH0382219A | 35/AM | 1/2M | ø 14 | 33 | 14 | 22 | | 10 | 42 |
| AH0382220A | 35/AM | 3/8M | ø 16 | 36.8 | 10.5 | 24 | | 10 | 44 |
| AH0382221A | 35/AM | 1/2M | ø 16 | 36.5 | 14 | 24 | | 10 | 43 |

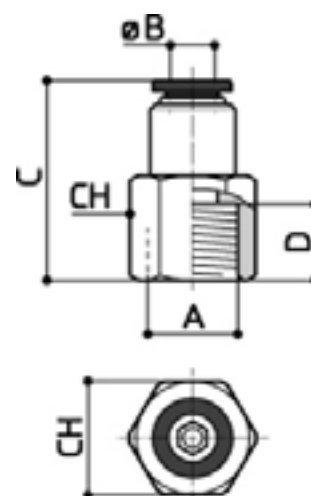


35/AF

TERMINALE DRITTO FILETTATO FEMMINA | FEMALE THREADED STRAIGHT | ADAPTOR EXTREMITE DROITE FILETEE FEMELLE | GERADES ENDSTÜCK MIT MIT INNENGEWINDE

- Femmina cilindrica ISO 228 (BSPP) • Cylindrical female thread - ISO 228 (BSPP)
- Femelle cylindrique ISO 228 (BSPP) • Zylindrisches Innengewinde ISO 228 (BSPP)

| COD. | MOD. | A | B | C | D |  |  |  |  |
|------------|-------|------|------|------|------|---|---|---|---|
| AH0382301A | 35/AF | 1/8F | ø 4 | 23.2 | 7 | 14 | 10 | 11 | |
| AH0382302A | 35/AF | 1/4F | ø 4 | 26.1 | 10.5 | 17 | 10 | 20 | |
| AH0382303A | 35/AF | 1/8F | ø 6 | 24.1 | 7 | 14 | 10 | 17 | |
| AH0382304A | 35/AF | 1/4F | ø 6 | 27.2 | 10.5 | 17 | 10 | 21 | |
| AH0382305A | 35/AF | 3/8F | ø 6 | 27.5 | 12 | 19 | 10 | 22 | |
| AH0382306A | 35/AF | 1/2F | ø 6 | 30.1 | 14 | 24 | 10 | 38 | |
| AH0382307A | 35/AF | 1/8F | ø 8 | 26 | 7 | 14 | 10 | 25 | |
| AH0382308A | 35/AF | 1/4F | ø 8 | 28.7 | 10.5 | 17 | 10 | 23 | |
| AH0382309A | 35/AF | 3/8F | ø 8 | 29 | 12 | 19 | 10 | 24 | |
| AH0382310A | 35/AF | 1/2F | ø 8 | 31.4 | 14 | 24 | 10 | 39 | |
| AH0382311A | 35/AF | 1/8F | ø 10 | 28.3 | 7 | 17 | 10 | 31 | |
| AH0382312A | 35/AF | 1/4F | ø 10 | 30.8 | 10.5 | 17 | 10 | 33 | |
| AH0382313A | 35/AF | 3/8F | ø 10 | 31.7 | 12 | 19 | 10 | 29 | |
| AH0382314A | 35/AF | 1/2F | ø 10 | 34 | 14 | 24 | 10 | 42 | |
| AH0382315A | 35/AF | 1/4F | ø 12 | 33.3 | 10.5 | 21 | 10 | 44 | |
| AH0382316A | 35/AF | 3/8F | ø 12 | 34.5 | 12 | 21 | 10 | 38 | |
| AH0382317A | 35/AF | 1/2F | ø 12 | 36.1 | 14 | 24 | 10 | 46 | |
| AH0382318A | 35/AF | 3/8F | ø 14 | 36 | 12.5 | 22 | 10 | 44 | |
| AH0382319A | 35/AF | 1/2F | ø 14 | 38 | 14 | 24 | 10 | 43 | |
| AH0382320A | 35/AF | 3/8F | ø 16 | 36.5 | 12.5 | 24 | 10 | 52 | |
| AH0382321A | 35/AF | 1/2 | ø 16 | 38 | 14 | 24 | 10 | 46 | |

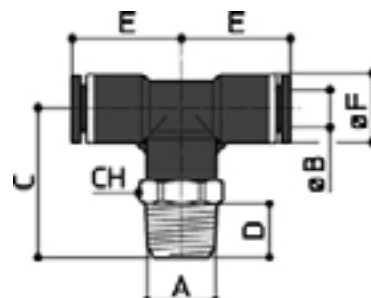


35/BGC

RACCORDO GIREVOLE A "T" FILETTATO MASCHIO CENTRALE | MALE CENTRE LEG SWIVELLING TEE
 RACCORD PIVOTANT EN « T » FILETE MALE CENTRAL | DREHBARER T-ANSCHLUSS MIT ZENTRALEM AUSSENGEWINDE

- Maschio conico ISO 7 (BSPT) - DIN 2999- BS 21 con PTFE
- Mâle conique ISO 7 (BSPT) - DIN 2999 - BS 21 avec PTFE
- Conical male thread ISO 7 (BSPT) - DIN 2999 - BS 21 with PTFE
- Konisches Außengewinde ISO 7 (BSPT) - DIN 2999 - BS 21 mit PTFE

| COD. | MOD. | A | B | C | D | E | F | | | |
|------------|--------|------|------|------|------|------|------|----|----|----|
| AH0386301A | 35/BGC | 1/8M | ø 4 | 22.4 | 7.5 | 18 | 11 | 10 | 10 | 10 |
| AH0386302A | 35/BGC | 1/4M | ø 4 | 25.2 | 9 | 18 | 11 | 14 | 10 | 15 |
| AH0386303A | 35/BGC | 1/8M | ø 6 | 25.1 | 7.5 | 18 | 13.5 | 12 | 10 | 15 |
| AH0386304A | 35/BGC | 1/4M | ø 6 | 26.4 | 9 | 18 | 13.5 | 14 | 10 | 18 |
| AH0386305A | 35/BGC | 3/8M | ø 6 | 27.9 | 10.5 | 18 | 13.5 | 17 | 10 | 23 |
| AH0386306A | 35/BGC | 1/2M | ø 6 | 32.5 | 12 | 18 | 13.5 | 21 | 10 | 31 |
| AH0386307A | 35/BGC | 1/8M | ø 8 | 27.5 | 7.5 | 21 | 14.5 | 14 | 10 | 19 |
| AH0386308A | 35/BGC | 1/4M | ø 8 | 29.5 | 9 | 21 | 14.5 | 14 | 10 | 20 |
| AH0386309A | 35/BGC | 3/8M | ø 8 | 31 | 10.5 | 21 | 14.5 | 17 | 10 | 25 |
| AH0386310A | 35/BGC | 1/2M | ø 8 | 35 | 12 | 21 | 14.5 | 21 | 10 | 33 |
| AH0386311A | 35/BGC | 1/8M | ø 10 | 29.7 | 7.5 | 23 | 18 | 17 | 10 | 30 |
| AH0386312A | 35/BGC | 1/4M | ø 10 | 31.5 | 9 | 23 | 18 | 17 | 10 | 32 |
| AH0386313A | 35/BGC | 3/8M | ø 10 | 33 | 10.5 | 23 | 18 | 17 | 10 | 35 |
| AH0386314A | 35/BGC | 1/2M | ø 10 | 36.5 | 12 | 23 | 18 | 21 | 10 | 42 |
| AH0386315A | 35/BGC | 1/4M | ø 12 | 36.5 | 9 | 29 | 20.5 | 21 | 10 | 41 |
| AH0386316A | 35/BGC | 3/8M | ø 12 | 37.5 | 10.5 | 28 | 20.5 | 21 | 10 | 43 |
| AH0386317A | 35/BGC | 1/2M | ø 12 | 41 | 12 | 28 | 20.5 | 21 | 10 | 49 |
| AH0386318A | 35/BGC | 3/8M | ø 14 | 37 | 10.5 | 31 | 24 | 19 | 10 | 62 |
| AH0386319A | 35/BGC | 1/2M | ø 14 | 40.5 | 12 | 31 | 24 | 21 | 10 | 64 |
| AH0386320A | 35/BGC | 3/8M | ø 16 | 41.5 | 10.5 | 32.5 | 25.5 | 19 | 10 | 67 |
| AH0386321A | 35/BGC | 1/2M | ø 16 | 45.5 | 12 | 32.5 | 25.5 | 21 | 10 | 67 |

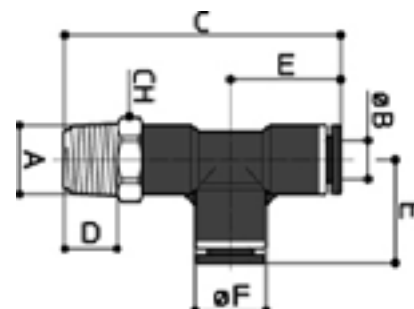


35/BGL

RACCORDO GIREVOLE A "T" FILETTATO MASCHIO LATERALE | MALE THREADED SWIVELLING TEE OFFSET LEG
 RACCORD PIVOTANT EN « T » FILETE MALE LATERAL | DREHBARER T-ANSCHLUSS MIT SEITLICHEM AUSSENGEWINDE

- Maschio conico ISO 7 (BSPT) - DIN 2999- BS 21 con PTFE
- Mâle conique ISO 7 (BSPT) - DIN 2999 - BS 21 avec PTFE
- Conical male thread ISO 7 (BSPT) - DIN 2999 - BS 21 with PTFE
- Konisches Außengewinde ISO 7 (BSPT) - DIN 2999 - BS 21 mit PTFE




| COD. | MOD. | A | B | C | D | E | F | | | |
|------------|--------|------|------|------|------|------|------|----|----|----|
| AH0386401A | 35/BGL | 1/8M | ø 4 | 35.7 | 7.5 | 12.9 | 11 | 10 | 10 | 10 |
| AH0386402A | 35/BGL | 1/4M | ø 4 | 39.2 | 9 | 12.9 | 11 | 14 | 10 | 14 |
| AH0386403A | 35/BGL | 1/8M | ø 6 | 39.5 | 7.5 | 14.5 | 13.5 | 12 | 10 | 15 |
| AH0386404A | 35/BGL | 1/4M | ø 6 | 41.5 | 9 | 14.5 | 13.5 | 14 | 10 | 18 |
| AH0386405A | 35/BGL | 3/8M | ø 6 | 43 | 10.5 | 14.5 | 13.5 | 17 | 10 | 23 |
| AH0386406A | 35/BGL | 1/2M | ø 6 | 47 | 12 | 14.5 | 13.5 | 21 | 10 | 30 |
| AH0386407A | 35/BGL | 1/8M | ø 8 | 44.5 | 7.5 | 17 | 14.5 | 14 | 10 | 19 |
| AH0386408A | 35/BGL | 1/4M | ø 8 | 46.5 | 9 | 17 | 14.5 | 14 | 10 | 20 |
| AH0386409A | 35/BGL | 3/8M | ø 8 | 48 | 10.5 | 17 | 14.5 | 17 | 10 | 25 |
| AH0386410A | 35/BGL | 1/2M | ø 8 | 52 | 12 | 17 | 14.5 | 21 | 10 | 33 |
| AH0386411A | 35/BGL | 1/8M | ø 10 | 48 | 7.5 | 18.5 | 18 | 17 | 10 | 30 |
| AH0386412A | 35/BGL | 1/4M | ø 10 | 50 | 9 | 18.5 | 18 | 17 | 10 | 31 |
| AH0386413A | 35/BGL | 3/8M | ø 10 | 51.5 | 10.5 | 18.5 | 18 | 17 | 10 | 35 |
| AH0386414A | 35/BGL | 1/2M | ø 10 | 55 | 12 | 18.5 | 18 | 21 | 10 | 42 |
| AH0386415A | 35/BGL | 1/4M | ø 12 | 59.5 | 9 | 23 | 20.5 | 21 | 10 | 41 |
| AH0386416A | 35/BGL | 1/8M | ø 12 | 60.5 | 10.5 | 23 | 20.5 | 21 | 10 | 43 |
| AH0386417A | 35/BGL | 1/2M | ø 12 | 64 | 12 | 23 | 20.5 | 21 | 10 | 48 |
| AH0386418A | 35/BGL | 3/8M | ø 14 | 66.5 | 10.5 | 29 | 24 | 17 | 10 | 62 |
| AH0386419A | 35/BGL | 1/2M | ø 14 | 69 | 12 | 29 | 24 | 21 | 10 | 66 |
| AH0386420A | 35/BGL | 3/8M | ø 16 | 67.5 | 10.5 | 30.5 | 25.5 | 19 | 10 | 75 |
| AH0386421A | 35/BGL | 1/2M | ø 16 | 71 | 12 | 30.5 | 25.5 | 21 | 10 | 66 |

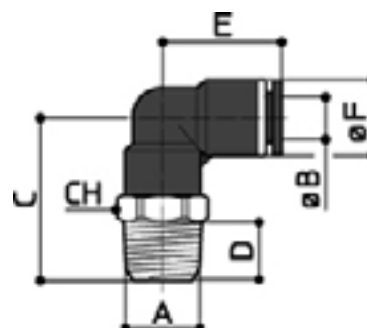


35/CGM

RACCORDO A "L" GIREVOLE FILETTATO MASCHIO | MALE THREADED SWIVELLING ELBOW FITTING
 RACCORD EN « L » PIVOTANT FILETE MALE | L-ANSCHLUSS, DREHBAR, MIT AUSSENGEWINDE

- Maschio conico ISO 7 (BSPT) - DIN 2999 - BS 21 con PTFE
- Conical male thread ISO 7 (BSPT) - DIN 2999 - BS 21 with PTFE
- Mâle conique ISO 7 (BSPT) - DIN 2999 - BS 21 avec PTFE
- Konisches Außengewinde ISO 7 (BSPT) - DIN 2999 - BS 21 mit PTFE




| COD. | MOD. | A | B | C | D | E | F |  |  |  |
|------------|--------|------|------|------|------|------|------|---|---|---|
| AH0384301A | 35/CGM | 1/8M | ø 4 | 24 | 7.5 | 18 | 11 | 10 | 10 | 8 |
| AH0384302A | 35/CGM | 1/4M | ø 4 | 27 | 9 | 18 | 11 | 14 | 10 | 13 |
| AH0384303A | 35/CGM | 1/8M | ø 6 | 25.4 | 7.5 | 18 | 13.5 | 12 | 10 | 12 |
| AH0384304A | 35/CGM | 1/4M | ø 6 | 26.9 | 9 | 18 | 13.5 | 14 | 10 | 15 |
| AH0384305A | 35/CGM | 3/8M | ø 6 | 28.4 | 10.5 | 18 | 13.5 | 17 | 10 | 22 |
| AH0384306A | 35/CGM | 1/2M | ø 6 | 32 | 12 | 18 | 13.5 | 21 | 10 | 30 |
| AH0384307A | 35/CGM | 1/8M | ø 8 | 28.5 | 7.5 | 22.9 | 14.5 | 14 | 10 | 15 |
| AH0384308A | 35/CGM | 1/4M | ø 8 | 30.5 | 9 | 22.9 | 14.5 | 14 | 10 | 16 |
| AH0384309A | 35/CGM | 3/8M | ø 8 | 31.5 | 10.5 | 22.9 | 14.5 | 17 | 10 | 21 |
| AH0384310A | 35/CGM | 1/2M | ø 8 | 35.5 | 12 | 22.9 | 14.5 | 21 | 10 | 29 |
| AH0384311A | 35/CGM | 1/8M | ø 10 | 30.5 | 7.5 | 23.5 | 18 | 17 | 10 | 24 |
| AH0384312A | 35/CGM | 1/4M | ø 10 | 32.5 | 9 | 23.5 | 18 | 17 | 10 | 25 |
| AH0384313A | 35/CGM | 3/8M | ø 10 | 33.5 | 10.5 | 23.5 | 18 | 17 | 10 | 28 |
| AH0384314A | 35/CGM | 1/2M | ø 10 | 37 | 12 | 23.5 | 18 | 21 | 10 | 37 |
| AH0384315A | 35/CGM | 1/4M | ø 12 | 37 | 9 | 29.2 | 20.5 | 21 | 10 | 32 |
| AH0384316A | 35/CGM | 3/8M | ø 12 | 38 | 10.5 | 29.2 | 20.5 | 21 | 10 | 35 |
| AH0384317A | 35/CGM | 1/2M | ø 12 | 41 | 12 | 29.2 | 20.5 | 21 | 10 | 40 |
| AH0384318A | 35/CGM | 3/8M | ø 14 | 43.4 | 10.5 | 27.5 | 24 | 21 | 10 | 48 |
| AH0384319A | 35/CGM | 1/2M | ø 14 | 45.7 | 12 | 27.5 | 24 | 24 | 10 | 52 |
| AH0384320A | 35/CGM | 3/8M | ø 16 | 43.9 | 10.5 | 29 | 25.5 | 21 | 10 | 56 |
| AH0384321A | 35/CGM | 1/2M | ø 16 | 46.2 | 12 | 29 | 25.5 | 24 | 10 | 54 |

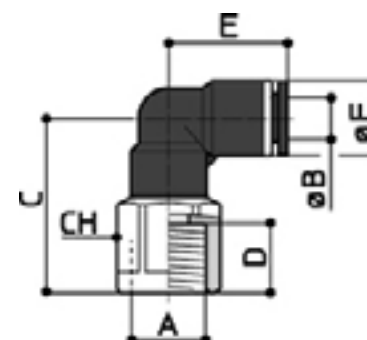


35/CGF

RACCORDO A "L" GIREVOLE FILETTATO FEMMINA | FEMALE THREADED SWIVELLING ELBOW FITTING
 RACCORD EN « L » PIVOTANT FILETE FEMELLE | L-ANSCHLUSS, DREHBAR, MIT INNENGEWINDE

- Femmina cilindrica ISO 228 (BSPP) • Cylindrical female thread - ISO 228 (BSPP)
- Femelle cylindrique ISO 228 (BSPP) • Zylindrisches Innengewinde ISO 228 (BSPP)

| COD. | MOD. | A | B | C | D | E | F |  |  |  |
|------------|--------|------|------|------|------|------|------|---|---|---|
| AH0384401A | 35/CGF | 1/8F | ø 4 | 25 | 9 | 18 | 11 | 14 | 10 | 11 |
| AH0384402A | 35/CGF | 1/4F | ø 4 | 25 | 10.5 | 18 | 11 | 17 | 10 | 24 |
| AH0384403A | 35/CGF | 1/8F | ø 6 | 22.8 | 9 | 22.8 | 13.5 | 14 | 10 | 18 |
| AH0384404A | 35/CGF | 1/4F | ø 6 | 24.8 | 10.5 | 24.8 | 13.5 | 17 | 10 | 23 |
| AH0384405A | 35/CGF | 3/8F | ø 6 | 25.8 | 12 | 25.8 | 13.5 | 19 | 10 | 23 |
| AH0384406A | 35/CGF | 1/2F | ø 6 | 28.8 | 14 | 28.8 | 13.5 | 24 | 10 | 40 |
| AH0384407A | 35/CGF | 1/8F | ø 8 | 22.6 | 9 | 22.9 | 14.5 | 14 | 10 | 19 |
| AH0384408A | 35/CGF | 1/4F | ø 8 | 28.5 | 10.5 | 22.9 | 14.5 | 17 | 10 | 25 |
| AH0384409A | 35/CGF | 3/8F | ø 8 | 29.5 | 12 | 22.9 | 14.5 | 19 | 10 | 25 |
| AH0384410A | 35/CGF | 1/2F | ø 8 | 32.5 | 14 | 22.9 | 14.5 | 24 | 10 | 41 |
| AH0384411A | 35/CGF | 1/8F | ø 10 | 24 | 9 | 23.5 | 18 | 17 | 10 | 38 |
| AH0384412A | 35/CGF | 1/4F | ø 10 | 24.5 | 10.5 | 23.5 | 18 | 17 | 10 | 29 |
| AH0384413A | 35/CGF | 3/8F | ø 10 | 31.5 | 12 | 23.5 | 18 | 19 | 10 | 36 |
| AH0384414A | 35/CGF | 1/2F | ø 10 | 34 | 14 | 23.5 | 18 | 24 | 10 | 44 |
| AH0384415A | 35/CGF | 1/4F | ø 12 | 28.4 | 10.5 | 29.2 | 20.5 | 21 | 10 | 43 |
| AH0384416A | 35/CGF | 3/8F | ø 12 | 33.5 | 12 | 29.2 | 20.5 | 21 | 10 | 36 |
| AH0384417A | 35/CGF | 1/2F | ø 12 | 37.4 | 14 | 29.2 | 20.5 | 24 | 10 | 49 |
| AH0384418A | 35/CGF | 3/8F | ø 14 | 43 | 12 | 30 | 24 | 24 | 10 | 49 |
| AH0384419A | 35/CGF | 1/2F | ø 14 | 45 | 14 | 30 | 24 | 24 | 10 | 54 |
| AH0384420A | 35/CGF | 3/8F | ø 16 | 34 | 12 | 33 | 25.5 | 24 | 10 | 57 |
| AH0384421A | 35/CGF | 1/2F | ø 16 | 42 | 14 | 33 | 25.5 | 24 | 10 | 59 |

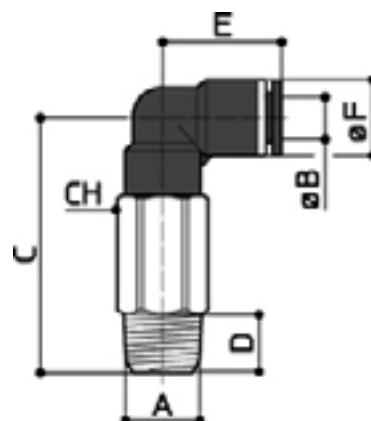


35/CGML

RACCORDO A "L" GIREVOLE FILETTATO MASCHIO | MALE SWIVELLING ELBOW FITTING
 RACCORD COUDE PIVOTANT, FILETE MALE | L-ANSCHLUSS, DREHBAR, MIT AUSSENGEWINDE

- Maschio conico ISO 7 (BSPT) -DIN 2999- BS 21 con PTFE
- Conical male thread ISO 7 (BSPT) - DIN 2999 - BS 21 with PTFE
- Mâle conique ISO 7 (BSPT) -DIN 2999 - BS 21 avec PTFE
- Konisches Außengewinde ISO 7 (BSPT) - DIN 2999 - BS 21 mit PTFE

| COD. | MOD. | A | B | C | D | E | F | | | |
|------------|---------|------|------|------|------|------|------|----|----|----|
| AH0384201A | 35/CGML | 1/8M | ø 6 | 36.8 | 7.5 | 18 | 13.5 | 14 | 10 | 25 |
| AH0384202A | 35/CGML | 1/4M | ø 6 | 38.5 | 9 | 18 | 13.5 | 14 | 10 | 31 |
| AH0384203A | 35/CGML | 1/8M | ø 8 | 41.2 | 7.5 | 22.9 | 14.5 | 14 | 10 | 36 |
| AH0384204A | 35/CGML | 1/4M | ø 8 | 45.5 | 9 | 22.9 | 14.5 | 14 | 10 | 33 |
| AH0384205A | 35/CGML | 3/8M | ø 10 | 51.2 | 10.5 | 23.5 | 18 | 17 | 10 | 53 |
| AH0384206A | 35/CGML | 3/8M | ø 12 | 58.4 | 10.5 | 29.2 | 20.5 | 21 | 10 | 71 |

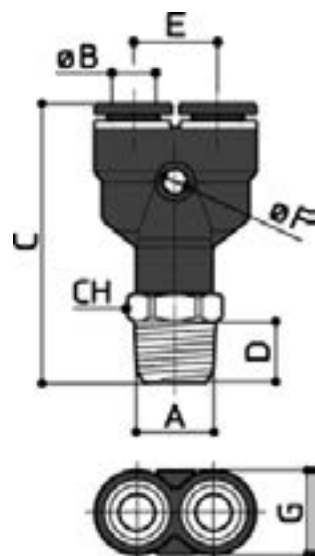


35/RGM

RACCORDO GIREVOLE A "Y" FILETTATO MASCHIO | MALE SWIVELLING TWO WAY DIVIDER
 RACCORD UNION PIVOTANT, FILETE MALE | L-ANSCHLUSS, DREHBAR, MIT AUSSENGEWINDE

- Maschio conico ISO 7 (BSPT) -DIN 2999- BS 21 con PTFE
- Conical male thread ISO 7 (BSPT) - DIN 2999 - BS 21 with PTFE
- Mâle conique ISO 7 (BSPT) -DIN 2999 - BS 21 avec PTFE
- Konisches Außengewinde ISO 7 (BSPT) - DIN 2999 - BS 21 mit PTFE

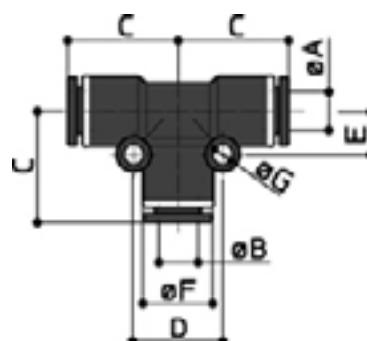
| COD. | MOD. | A | B | C | D | E | F | | | |
|------------|--------|------|------|------|------|------|---|----|----|----|
| AH0394201A | 35/RGM | 1/8M | ø 4 | 38.7 | 7.5 | 10.5 | 3 | 10 | 10 | 10 |
| AH0394202A | 35/RGM | 1/8M | ø 6 | 41 | 7.5 | 13 | 3 | 12 | 10 | 15 |
| AH0394203A | 35/RGM | 1/4M | ø 6 | 43 | 9 | 13 | 3 | 14 | 10 | 17 |
| AH0394204A | 35/RGM | 1/8M | ø 8 | 46.5 | 7.5 | 14 | 3 | 14 | 10 | 19 |
| AH0394205A | 35/RGM | 1/4M | ø 8 | 48.5 | 9 | 14 | 3 | 14 | 10 | 19 |
| AH0394206A | 35/RGM | 1/4M | ø 10 | 51 | 9 | 18 | 4 | 17 | 10 | 30 |
| AH0394207A | 35/RGM | 3/8M | ø 10 | 52.5 | 10.5 | 18 | 4 | 17 | 10 | 34 |
| AH0394208A | 35/RGM | 3/8M | ø 12 | 62.5 | 10.5 | 20.5 | 4 | 21 | 10 | 44 |



35/B

RACCORDO INTERMEDIO A "T" | TEE FITTING
 RACCORD INTERMEDIAIRE EN « T » | T-ZWISCHENANSCHLUSS

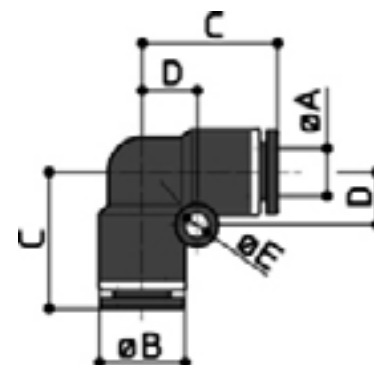
| COD. | MOD. | A | B | C | D | E | F | G | | |
|------------|------|------|------|------|------|----|------|---|----|----|
| AH0389201A | 35/B | ø 4 | ø 4 | 18.8 | 14 | 8 | 10.7 | 3 | 10 | 6 |
| AH0389202A | 35/B | ø 6 | ø 4 | 19 | 14 | 9 | 13.3 | 3 | 10 | 6 |
| AH0389203A | 35/B | ø 8 | ø 4 | 22.5 | 16.6 | 10 | 14.5 | 3 | 10 | 6 |
| AH0389204A | 35/B | ø 6 | ø 6 | 19 | 16 | 9 | 13.3 | 3 | 10 | 9 |
| AH0389205A | 35/B | ø 8 | ø 6 | 22.6 | 16.6 | 10 | 14.5 | 3 | 10 | 9 |
| AH0389206A | 35/B | 10 | ø 6 | 26.5 | 16.8 | 11 | 18 | 4 | 10 | 19 |
| AH0389207A | 35/B | ø 8 | ø 8 | 22.6 | 18 | 10 | 14.5 | 3 | 10 | 11 |
| AH0389208A | 35/B | ø 10 | ø 8 | 26.5 | 18.4 | 11 | 18.2 | 4 | 10 | 14 |
| AH0389209A | 35/B | ø 12 | ø 8 | 28 | 18.4 | 13 | 19.5 | 4 | 10 | 23 |
| AH0389210A | 35/B | ø 10 | ø 10 | 28 | 24 | 11 | 18.2 | 4 | 10 | 20 |
| AH0389211A | 35/B | ø 12 | ø 10 | 28.3 | 22.5 | 12 | 20.6 | 4 | 10 | 19 |
| AH0389212A | 35/B | ø 12 | ø 12 | 28.3 | 25 | 12 | 20.6 | 4 | 10 | 25 |
| AH0389213A | 35/B | ø 16 | ø 12 | 31 | 24.6 | 21 | 25.2 | 5 | 10 | 21 |
| AH0389214A | 35/B | ø 14 | ø 14 | 31 | 27 | 15 | 23.6 | 5 | 10 | 35 |
| AH0389215A | 35/B | ø 16 | ø 16 | 32.5 | 28 | 22 | 25.2 | 5 | 10 | 35 |



35/C

RACCORDO A "L" INTERMEDIO | ELBOW CONNECTOR
 RACCORD COUDE INTERMEDIAIRE | „L“-ZWISCHENANSCHLUSS

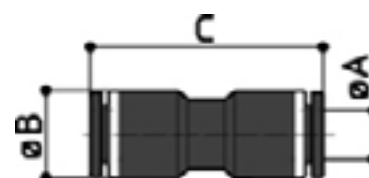
| COD. | MOD. | A | B | C | D | | |
|------------|------|------|------|------|---|----|----|
| AH0390201A | 35/C | ø 4 | 10.7 | 18.8 | 3 | 10 | 4 |
| AH0390202A | 35/C | ø 6 | 13.3 | 19 | 3 | 10 | 6 |
| AH0390203A | 35/C | ø 8 | 14.5 | 22.6 | 3 | 10 | 7 |
| AH0390204A | 35/C | ø 10 | 18.2 | 27.8 | 4 | 10 | 13 |
| AH0390205A | 35/C | ø 12 | 20.6 | 28.3 | 4 | 10 | 17 |
| AH0390206A | 35/C | ø 14 | 23.6 | 31 | 5 | 10 | 24 |
| AH0390207A | 35/C | ø 16 | 25.2 | 32.5 | 5 | 10 | 24 |



35/D

INTERMEDIO DRITTO | STRAIGHT CONNECTOR
 INTERMEDIAIRE DROIT | GERADES ZWISCHENTEIL

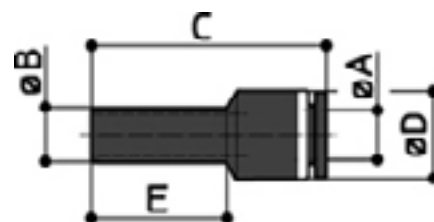
| COD. | MOD. | A | B | C | | |
|------------|------|------|------|------|----|----|
| AH0391201A | 35/D | ø 4 | 10.6 | 32.5 | 10 | 4 |
| AH0391202A | 35/D | ø 6 | 13 | 35 | 10 | 6 |
| AH0391203A | 35/D | ø 8 | 15 | 39 | 10 | 7 |
| AH0391204A | 35/D | ø 10 | 18.5 | 48 | 10 | 12 |
| AH0391205A | 35/D | ø 12 | 20 | 48 | 10 | 16 |
| AH0391206A | 35/D | ø 14 | 23.5 | 50.8 | 10 | 18 |
| AH0391207A | 35/D | ø 16 | 24 | 34 | 10 | 21 |



35/F

RIDUZIONE | REDUCING ADAPTOR
REDUCTION | REDUZIERUNG

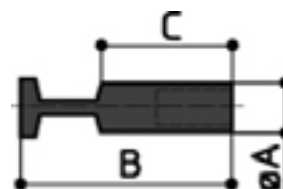
| COD. | MOD. | A | B | C | D | E | | |
|------------|------|------|------|------|------|------|----|---|
| AH0312601A | 35/F | ∅ 4 | ∅ 6 | 38.5 | 11 | 22 | 10 | 3 |
| AH0312602A | 35/F | ∅ 4 | ∅ 8 | 39 | 11 | 25 | 10 | 4 |
| AH0312603A | 35/F | ∅ 6 | ∅ 8 | 41.5 | 13 | 25 | 10 | 4 |
| AH0312604A | 35/F | ∅ 6 | ∅ 10 | 40.8 | 13 | 26.5 | 10 | 5 |
| AH0312605A | 35/F | ∅ 8 | ∅ 10 | 44.5 | 14.5 | 26.5 | 10 | 5 |
| AH0312606A | 35/F | ∅ 8 | ∅ 12 | 43 | 14.5 | 26.5 | 10 | 6 |
| AH0312607A | 35/F | ∅ 10 | ∅ 12 | 51 | 18.5 | 26.5 | 10 | 8 |



35/G

TAPPO | PLUG | BOUCHON | STECKER

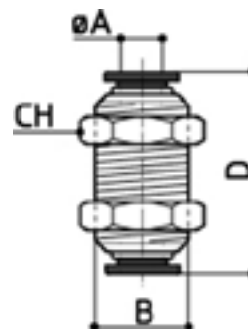
| COD. | MOD. | A | B | C | | |
|------------|------|------|------|------|----|---|
| AH0304001A | 35/G | ∅ 4 | 28 | 15.5 | 10 | 1 |
| AH0304002A | 35/G | ∅ 6 | 33 | 16 | 10 | 1 |
| AH0304003A | 35/G | ∅ 8 | 37 | 18.5 | 10 | 1 |
| AH0304004A | 35/G | ∅ 10 | 42.5 | 21 | 10 | 2 |
| AH0304005A | 35/G | ∅ 12 | 43 | 23 | 10 | 2 |



35/HM

RACCORDO PASSAPARETE INTERMEDIO MASCHIO
MALE MIDDLE BULKHEAD CONNECTOR
RACCORD FILETE MÂLE POUR TRAVERSEE DE CLOISON
WANDDURCHGANGSWISCHENSTÜCK MIT AUSSERGEWINDE

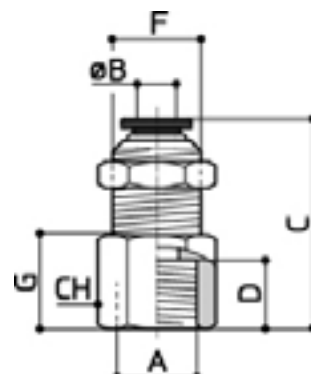
| COD. | MOD. | A | B | D | | | |
|------------|-------|------|-------|------|----|----|----|
| AH0369201A | 35/HM | ∅ 4 | M12x1 | 30 | 14 | 10 | 27 |
| AH0369202A | 35/HM | ∅ 6 | M14x1 | 31 | 17 | 10 | 32 |
| AH0369203A | 35/HM | ∅ 8 | M16x1 | 35 | 19 | 10 | 32 |
| AH0369204A | 35/HM | ∅ 10 | M20x1 | 42 | 24 | 10 | 52 |
| AH0369205A | 35/HM | ∅ 12 | M22x1 | 46.2 | 27 | 10 | 65 |
| AH0369206A | 35/HM | ∅ 14 | M24x1 | 47 | 29 | 10 | 72 |



35/HF

RACCORDO PASSAPARETE INTERMEDIO FEMMINA
FEMALE MIDDLE BULKHEAD CONNECTOR
RACCORD FILETE FEMELLE POUR TRAVERSEE DE CLOISON
WANDDURCHGANGSWISCHENSTÜCK MIT INNENGEWINDE

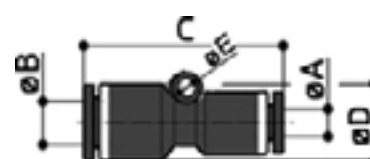
| COD. | MOD. | A | B | C | D | F | | | |
|------------|-------|------|------|-------|------|-------|----|----|----|
| AH0369301A | 35/HF | 1/8F | ∅ 4 | 27.2 | 7 | M12x1 | 14 | 10 | 18 |
| AH0369302A | 35/HF | 1/4F | ∅ 4 | 33 | 10.5 | M12x1 | 14 | 10 | 18 |
| AH0369303A | 35/HF | 1/8F | ∅ 6 | 27.95 | 7 | M14X1 | 17 | 10 | 33 |
| AH0369304A | 35/HF | 1/4F | ∅ 6 | 33.6 | 10.5 | M14X1 | 17 | 10 | 28 |
| AH0369305A | 35/HF | 1/8F | ∅ 8 | 37.2 | 7 | M16X1 | 19 | 10 | 30 |
| AH0369306A | 35/HF | 1/4F | ∅ 8 | 32.7 | 10.5 | M16X1 | 19 | 10 | 36 |
| AH0369307A | 35/HF | 3/8F | ∅ 10 | 41.3 | 12 | M20X1 | 24 | 10 | 43 |
| AH0369308A | 35/HF | 1/2F | ∅ 12 | 46.2 | 14 | M22X1 | 27 | 10 | 52 |



35/N

RIDUZIONE INTERMEDIA | REDUCING STRAIGHT CONNECTOR
REDUCTION INTERMEDIAIRE | ZWISCHENREDUZIERUNG

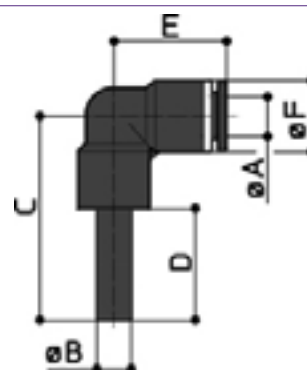
| COD. | MOD. | A | B | C | D | E | | |
|------------|------|------|------|------|------|---|----|----|
| AH0393601A | 35/N | ø 4 | ø 6 | 29.6 | 11 | 3 | 10 | 5 |
| AH0393602A | 35/N | ø 4 | ø 8 | 32.6 | 13.1 | 3 | 10 | 6 |
| AH0393603A | 35/N | ø 6 | ø 8 | 32.7 | 13.2 | 3 | 10 | 6 |
| AH0393604A | 35/N | ø 6 | ø 10 | 36.7 | 14.5 | 3 | 10 | 10 |
| AH0393605A | 35/N | ø 8 | ø 10 | 37.1 | 15 | 4 | 10 | 10 |
| AH0393606A | 35/N | ø 8 | ø 12 | 41.1 | 18 | 4 | 10 | 13 |
| AH0393607A | 35/N | ø 10 | ø 12 | 40.9 | 18.3 | 4 | 10 | 14 |
| AH0393608A | 35/N | ø 12 | ø 16 | 64 | 24.6 | 4 | 10 | 22 |



35/Q

RACCORDO A "L" CON CODOLO | STEM ELBOW FITTING
RACCORD COUDE A QUEUE LISSE | L-ANSCHLUSS, DREHBAR, MIT INNENGEWINDE

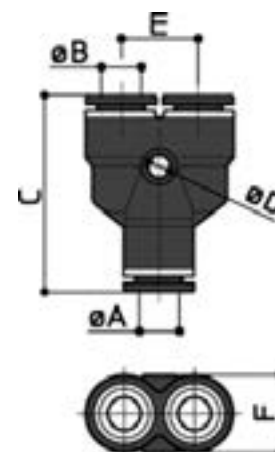
| COD. | MOD. | A | B | C | D | E | F | | |
|------------|------|------|------|------|------|------|------|----|----|
| AH0390601A | 35/Q | ø 4 | ø 4 | 33.5 | 20.5 | 18.5 | 11 | 10 | 5 |
| AH0390602A | 35/Q | ø 6 | ø 6 | 35.5 | 22 | 19 | 13 | 10 | 11 |
| AH0390603A | 35/Q | ø 8 | ø 8 | 40 | 24 | 22.5 | 14.5 | 10 | 16 |
| AH0390604A | 35/Q | ø 10 | ø 10 | 45.5 | 25.5 | 28 | 18.5 | 10 | 26 |
| AH0390605A | 35/Q | ø 12 | ø 12 | 48 | 26.5 | 29 | 21 | 10 | 39 |



35/R

RACCORDO INTERMEDIO A "Y" | MIDDLE TWO WAY DIVIDER
RACCORD UNION EN Y INTERMEDIAIRE | Y-ANSCHLUSS, DREHBAR

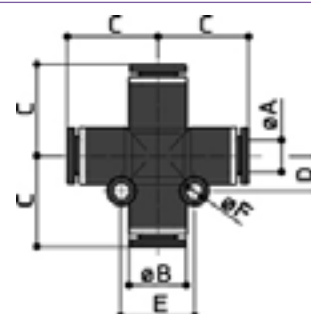
| COD. | MOD. | A | B | C | D | E | | |
|------------|------|------|------|------|---|------|----|----|
| AH0393301A | 35/R | ø 4 | ø 4 | 35.5 | 3 | 10.5 | 10 | 6 |
| AH0393302A | 35/R | ø 6 | ø 4 | 36.5 | 3 | 13 | 10 | 6 |
| AH0393303A | 35/R | ø 8 | ø 4 | 41 | 3 | 10.5 | 10 | 9 |
| AH0393304A | 35/R | ø 6 | ø 6 | 37 | 3 | 12.9 | 10 | 9 |
| AH0393305A | 35/R | ø 8 | ø 6 | 36.5 | 3 | 12.9 | 10 | 9 |
| AH0393306A | 35/R | ø 10 | ø 6 | 43.5 | 4 | 14.5 | 10 | 13 |
| AH0393307A | 35/R | ø 8 | ø 8 | 39.5 | 3 | 14.3 | 10 | 11 |
| AH0393308A | 35/R | ø 10 | ø 8 | 44 | 4 | 14.3 | 10 | 14 |
| AH0393309A | 35/R | ø 12 | ø 8 | 50.5 | 4 | 18 | 10 | 19 |
| AH0393310A | 35/R | ø 10 | ø 10 | 49.5 | 4 | 17.6 | 10 | 19 |
| AH0393311A | 35/R | ø 12 | ø 10 | 51 | 4 | 17.6 | 10 | 21 |
| AH0393312A | 35/R | ø 12 | ø 12 | 52.5 | 4 | 20.7 | 10 | 26 |
| AH0393313A | 35/R | ø 14 | ø 14 | 55.5 | 5 | 26 | 10 | 30 |
| AH0393314A | 35/R | ø 16 | ø 16 | 55.5 | 5 | 26 | 10 | 33 |



35/X

RACCORDO INTERMEDIO A CROCE | MIDDLE CROSS FITTING
RACCORD CROIX INTERMEDIAIRE | ZWISCHENKREUZ



| COD. | MOD. | A | B | C | F | | |
|------------|------|------|------|------|---|----|----|
| AH0395201A | 35/X | ø 4 | 10.6 | 18 | 3 | 10 | 7 |
| AH0395202A | 35/X | ø 6 | 13.2 | 20 | 3 | 10 | 12 |
| AH0395203A | 35/X | ø 8 | 15 | 23 | 3 | 10 | 14 |
| AH0395204A | 35/X | ø 10 | 18.5 | 28.5 | 4 | 10 | 25 |
| AH0395205A | 35/X | ø 12 | 20.6 | 29 | 4 | 10 | 35 |

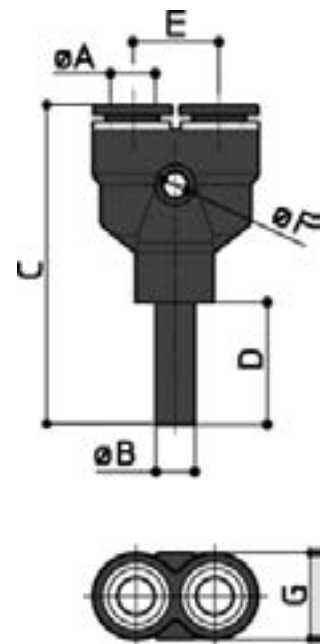




35/Y

RACCORDO INTERMEDIO A "Y" CON CODOLO | MIDDLE TWO WAY DIVIDER WITH STEM
RACCORD EN Y INTERMEDIAIRE | STECKER

| COD. | MOD. | A | B | C | D | E | F |  |  |
|------------|------|------|------|------|------|------|---|---|---|
| AH0394301A | 35/Y | ø 4 | ø 4 | 52 | 20.5 | 11 | 3 | 10 | 7 |
| AH0394302A | 35/Y | ø 6 | ø 6 | 54.5 | 22 | 13 | 3 | 10 | 13 |
| AH0394303A | 35/Y | ø 8 | ø 8 | 59 | 24 | 14.5 | 3 | 10 | 17 |
| AH0394304A | 35/Y | ø 10 | ø 10 | 70 | 25.5 | 18 | 3 | 10 | 32 |
| AH0394305A | 35/Y | ø 12 | ø 12 | 73.5 | 26.5 | 21 | 4 | 10 | 45 |





EXTRAORDINARY PASSION



ANI SPA

Via Arzignano, 190
36072 CHIAMPO (VI)
ITALY
tel. +39 0444 420888
ani@ani.it

www.ani.it